

# BUTTERFLY VALVES

## GROOVE ENDS BUTTERFLY VALVE UL/FM WITH GEAR-BOX



BeValve

BeValve

TF-BFV-G-UL



### APPLICATION:

Fire protection systems, indoor and outdoor use.

### GENERAL CHARACTERISTICS:

Range from DN-2" up to DN-12".  
 100% Tightness in both ways.  
 Groove ends connection.  
 Double-seal disc resilient EPDM coated.  
 Factory installed Supervisory Tamper Switch assembly.  
 Epoxy paint 250 microns: RAL 3000.

### STANDARDS:

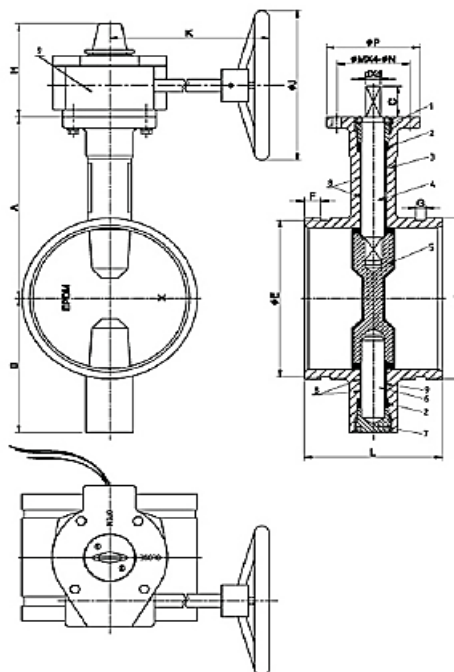
Design: API609.  
 Groove Standard: ANSI/AWWA C606.  
 Top Flange Standard: ISO 5211.  
 Pressure Test: FM1112 / UL1091.  
 Max. Test Pressure: 600PSI.

### WORKING CONDITIONS:

Maximum Working Pressure: 300PSI.  
 Maximum Working Temperature: 120 °C / 250 °F.

### CONSTRUCTION:

No.	Part	Material
1	Upper Shaft Sealing Nut	WCB
2	Shaft Seal	EPDM
3	Body	Ductile Iron EN-GJS-450
4	Upper Shaft	S.Steel 416
5	Disc	D.Iron EN-GJS-450+EPDM
6	Lower Shaft	S.Steel 416
7	Lower Shaft Sealing Nut	WCB
8	Stem Bushing	PTFE
9	Signal Gear-Box	Ductile Iron EN-GJS-450



### DIMENSIONS:

DN	A	B	C	D	E	F	G	H	K	J	P	M	N	d	L	Weight	
2"	110	85	32	60,3	57,15	15,9	7,9	111	218	153	152	90	70	9	10	88	4,51
2.1/2"	125	95	32	73	69,1	15,9	7,9	111	218	153	152	90	70	9	10	96,4	5,49
				76,1	72,3												
3"	140	100	32	88,9	84,9	15,9	7,9	111	218	153	152	90	70	9	11	97	5,80
4"	160	100	32	114,3	110,1	15,9	9,5	111	218	153	152	90	70	9	14	115,1	6,73
5"	170	125	32	139,7	135,5	15,9	9,5	111	218	153	152	90	70	9	14	132,4	10,15
				141,3	137												
6"	190	140	32	165,1	160,9	15,9	9,5	111	218	153	200	90	70	9	16	132,4	9,81
				168,3	164												
8"	230	175	32	216,3	211,6	19	11,1	126	232	210	300	125	102	12	19	147,4	15,74
				219,1	214,4												
10"	260	200	45	267,4	262,6	19	12,7	126	232	210	300	125	102	12	24	159	25,06
				273	268,3												
12"	300	240	45	318,5	312,9	19	12,7	161	249	300	150	125	14	26	165	32,81	
				323,8	318,3												

Bevalve Shanghai

Room 504-40, 5/F, West Office Tower, Shanghai Centre, No. 1376 West Nanjing Road  
 Jing an District - Shanghai, 200040, P.R.China  
 Tel +86 (21) 60103107 Email info@bevalve.com

www.bevalve.com

The specifications of the presented products are open to modifications without previous advice.