

GATE VALVES

NRS RESILIENT SEAT GATE VALVE UL/FM GROOVE ENDS



BeValve

BeValve

TF-RSGV-NRS-UL-G



APPLICATION:
Fire protection systems.

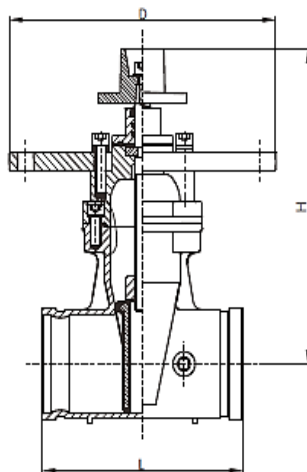
GENERAL CHARACTERISTICS:
Range from DN50 up to DN300.
Full bore.
100% Tightness in both ways.
Minimum head loss.
Low torque values.

STANDARDS:
Design: AWWA C515 / BS5163.
Grooved standard: AWWA C606.
Pressure Test: FM1120 & UL262.

WORKING CONDITIONS:
Working Pressure: 200PSI / 250PSI / 300PSI
Maximum Working Temperature: 0 °C / + 80 °C.

CONSTRUCTION:

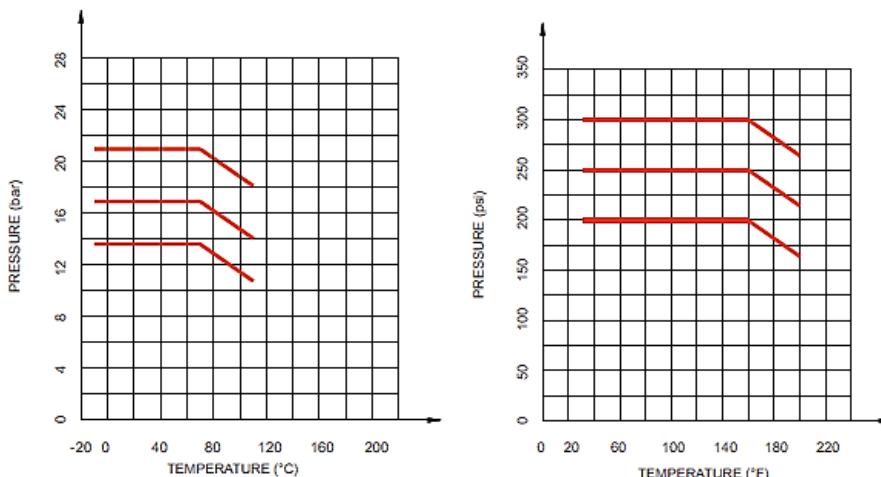
Part	Material	Specification
Body	Ductile Iron	A536 65-45-12
Wedge Disc	Ductile Iron EPDM coated	
Disc Nut	Bronze	ASTM B62
Stem	S.Steel	AISI304/302
Gasket	EPDM	
Bonnet	Ductile Iron	A536 65-45-12
Thrust Collar	Bronze	ASTM B62
Gland	Ductile Iron	A536 65-45-12
Wrench Nut	Ductile Iron	A536 65-45-12
Post Plate	Ductile Iron	A536 65-45-12



DIMENSIONS:

DN		L	H	D	Weight
Inch	mm				
2"	50	178	279	305	7,30
2 1/2"	65	191	279	305	7,50
3"	80	203	305	305	10,90
4"	100	229	324	305	15,00
5"	125	254	394	305	31,00
6"	150	267	428	305	34,00
8"	200	292	537	305	51,00
10"	250	330	640	305	73,00
12"	300	356	723	305	93,00

PRESSURE/TEMPERATURE CHART:



The specifications of the presented products are open to modifications without previous advice.

Bevalve Shanghai

Room 504-40, 5/F, West Office Tower, Shanghai Centre, No. 1376 West Nanjing Road
Jing an District - Shanghai, 200040, P.R.China
Tel +86 (21) 60103107 Email info@bevalve.com

www.bevalve.com