

# BALL VALVES

## 2 PIECES S.STEEL BALL VALVE PN-63 SCREWED ENDS BSP



BeValve

TECFLW

TF-2PBV-T



**APPLICATION :**

Chemical, hydraulic installation, pressurized air, industry, etc.

**GENERAL CHARACTERISTICS :**

- Full Bore.
- Anti blow-out stem.
- PTFE packing.
- PTFE seats.
- Locking device.
- Solid ball.
- 2 pieces type.
- Stainless Steel Lever.

**STANDARDS :**

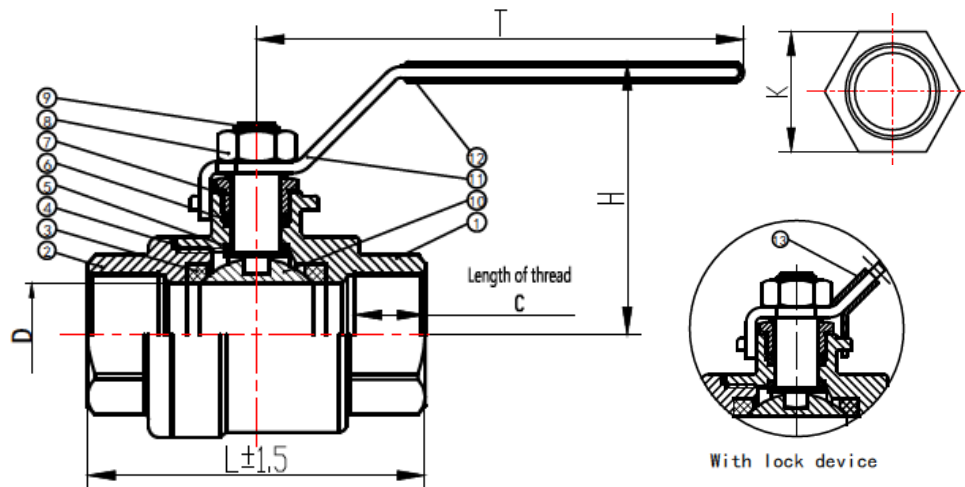
- Fabrication according to ASME B16.34
- Directive 2014/68/EU: CE No. 1282 Risk Category III Module H
- Pressure Tests according to API598
- Threaded BSP cylindrical ends according to ISO 228-1
- Certificate 3.1 on request

**WORKING CONDITIONS :**

- Maximum Working Pressure : 63 Bar.
- Maximum Working Temperature : -20 °C / +180 °C.

**CONSTRUCTION :**

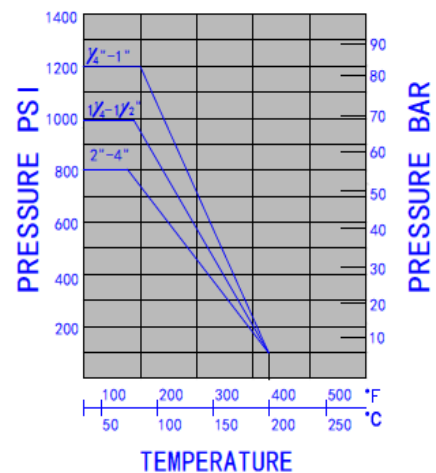
No.	Part	Material
1	Body	S.Steel CF8M
2	Cap	S.Steel CF8M
3	Seat	PTFE
4	Gasket	PTFE
5	Thrust washer	PTFE
6	Packing	PTFE
7	Gland	S.Steel 304
8	Nut	S.Steel 304
9	Stem	S.Steel 316
10	Ball	S.Steel 316
11	Handle	S.Steel 304
12	Handle Cover	PVC
13	Lock Device	S.Steel 304



**DIMENSIONES / DIMENSIONS :**

DN	D	L	H	T	C	K	Weight
1/4"	10,5	52	42	89	11	19	0,19
3/8"	10,5	52	42	89	12	19	0,19
1/2"	15	55	49	107	14	25	0,24
3/4"	20	64	58	120	15	31	0,37
1"	25	71	67	126	16	37	0,56
1 1/4"	32	82	72	143	16	46	0,85
1 1/2"	38	93	86	160	16	53	1,14
2"	50	109	92	171	19	64	1,60
2 1/2"	65	144	127	205	27	82	3,59
3"	80	168	149	235	27	97	5,23
4"	100	205	162	296	35	120	8,75

**(PTFE) PRESSURE-TEMPERATURE RATING**



The specifications of the presented products are open to modifications without previous advice.

**Bevalve Shanghai**

Room 504-40, 5/F, West Office Tower. Shanghai Centre, No. 1376 West Nanjing Road  
Jing an District - Shanghai, 200040, P.R.China  
Tel +86 (21) 60103107 Email info@bevalve.com

[www.bevalve.com](http://www.bevalve.com)