

# GATE VALVES

## INDICATOR POST UL/FM UNDERGROUND TYPE



BeValve

BeValve

### TF-RSGV-IP-UL



#### APPLICATION:

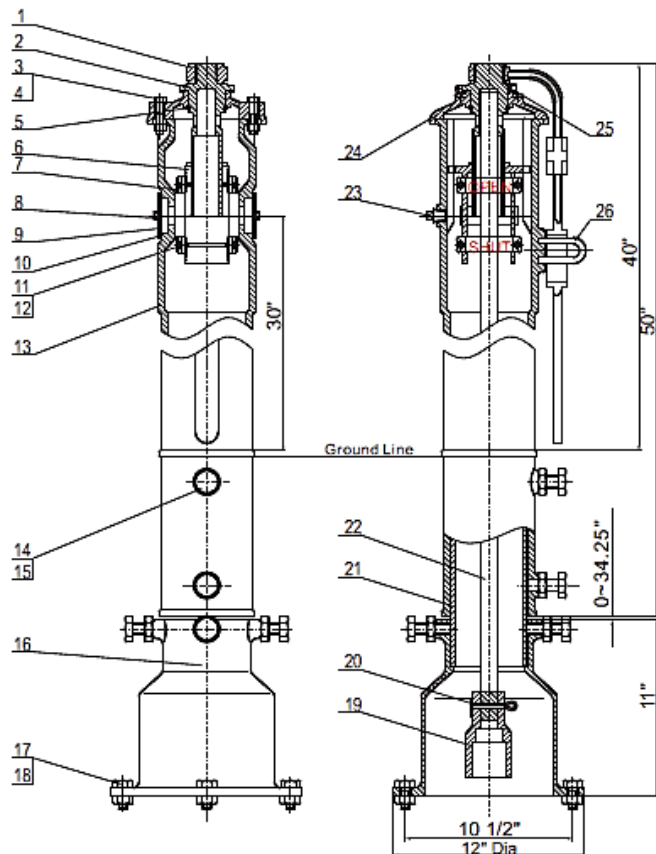
Fire protection systems.

#### FIELD ADJUSTMENT

- 1.- Remove the top section from the top of the Indicator Post assembly.
- 2.- Cut the required length off the bottom of the Standpipe for the Ground Line to match up with Standpipe Ground Line mark.
- 3.- Set the "OPEN" and "SHUT" targets for the appropriate valve size.
- 4.- Reattach the Top Section to the top of the Indicator Post assembly.

#### CONSTRUCTION:

No.	Qty	Part	Material
1	1	Locking Wrench	ASTM A126B
2	1	Operating Nut	ASTM B62
3	2	Hex Nut Screw	ASTM A105
4	2	Hex Nut Screw	ASTM A105
5	1	Snap Ring	AISIA606
6	1	Taget Carrier Nut	ASTM B62
7	4	Taget Carrier Nut	ASTM B108
8	4	Hex Cap Screw	ASTM A105
9	2	Window Glass	LEXAN-UM
10	2	Window Glass Gasket	PTFE
11	4	Hex Cap Screw	ASTM A105
12	4	Hex Nut	ASTM A105
13	1	Body	ASTM A536
14	6	Hex Cap Screw	ASTM A105
15	6	Hex Nut	ASTM A105
16	1	Base Flange	ASTM A126B
17	4	Hex Cap Screw	ASTM A105
18	4	Hex Nut	ASTM A105
19	1	Crane Coupling	ASTM A536
20	1	Cotter Pin	AISI304
21	1	Stand Pipe	ASTM A536
22	1	Stem	AISI 1045
23	1	Plug	AISI304
24	1	Cover	ASTM A126B
25	1	Cross Recessed Countersunk Head Screw	AISI304
26	1	Locking Nose	ASTM 307B



The specifications of the presented products are open to modifications without previous advice.

#### Bevalve Shanghai

Room 504-40, 5/F, West Office Tower, Shanghai Centre, No. 1376 West Nanjing Road  
Jing an District - Shanghai, 200040, P.R.China  
Tel +86 (21) 60103107 Email info@bevalve.com

[www.bevalve.com](http://www.bevalve.com)