

# CHECK VALVES

## UL LISTED RESILIENT SEATED GROOVED ENDS SWING CHECK VALVE



BeValve

BeValve

TF-SCV-UL-G



**APPLICATION:**  
Fire protection systems.

**GENERAL CHARACTERISTICS:**

Range from DN50 up to DN200.  
Full bore.  
100% Tightness.  
Minimum head loss.  
Low torque values.  
Fusion Bonded Epoxy Coated Interior and Exterior to AWWA C550

**STANDARDS:**

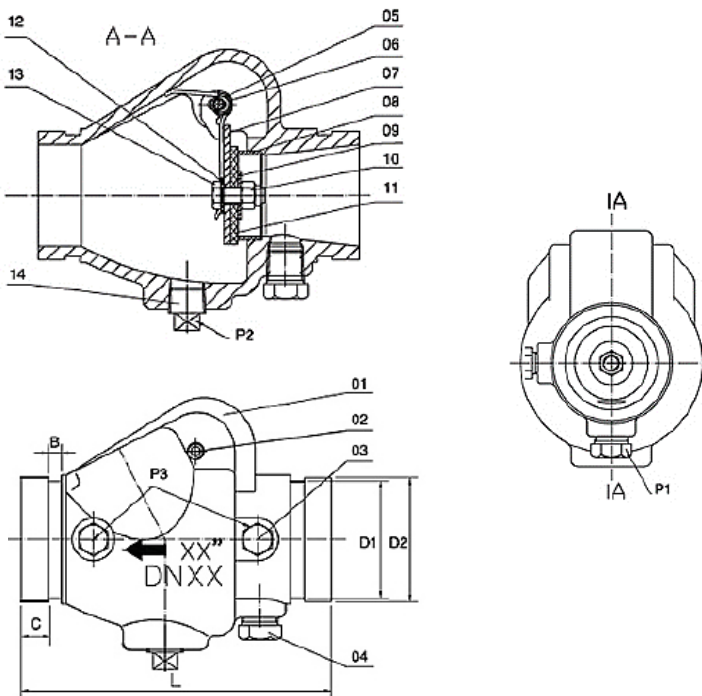
Grooved standard: AWWA C606.  
Pressure Test: EN 12266-1 Rate A.  
Body: PN x 1,5 bar. Seat: PN x 1,1 bar.

**WORKING CONDITIONS:**

Working Pressure: 200PSI / 250PSI / 300PSI / 350PSI  
Maximum Working Temperature: 0 °C / + 80 °C.

**CONSTRUCTION:**

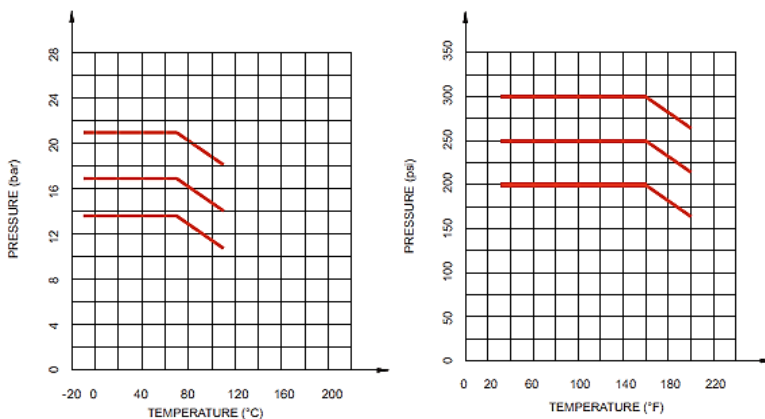
No.	Part	Material
1	Body	D.Iron EN-GJS-450
2	Bolt	Steel
3	Plug	Steel
4	Plug	Steel
5	Spring	S.Steel 304
6	Hinge Pin	S.Steel 304
7	Clapper	S.Steel 304
8	Seat	C95400
9	Clamping Ring	S.Steel 304
10	Locknut	S.Steel 304
11	Facing Seal	EPDM
12	Gasket	EPDM
13	Bolt	Steel
14	Plug	Steel



**DIMENSIONS:**

DN	L	D1	D2	B	C	P1	Weight
2"	169	57,15	60,3	7,95	15,88	1/2-14NPT	2,50
2.1/2"	181	69,09	73	7,95	15,88	1/2-14NPT	4,00
		72,26	76,1				
3"	198	84,94	88,9	7,95	15,88	1/2-14NPT	6,00
4"	214	110,08	114,3	9,53	15,88	1/2-14NPT	9,00
5"	248	135,48	139,7	9,53	15,88	1/2-14NPT	15,00
		137,03	141,3				
6"	270	160,78	165,1	9,53	15,88	1/2-14NPT	19,00
		163,96	168,1				
8"	325	211,6	216,3	11,13	11,13	1/2-14NPT	35,00
		214,4	219,1				

**PRESSURE/TEMPERATURE CHART:**



The specifications of the presented products are open to modifications without previous advice.