

Y-STRAINER

GROOVE ENDS Y-STRAINER UL LISTED



BeValve

BeValve
TF-YS-G-UL



APPLICATION:

Fire protection systems, indoor and outdoor use.

GENERAL CHARACTERISTICS:

Range from DN-2" up to DN-12".

Low Pressure Drop.

Removable cover for cleaning without removing strainer body from the pipeline.

Strainer can be installed in either a horizontal or vertical position (Downward flow) with the screen element pointing downward.

Fusion bonded epoxy coated Interior and Exterior (FBE) in accordance with ANSI AWWA C550: RAL 3000.

Easier and Faster to Maintain and Install.

STANDARDS:

Grooved Ends: ANSI/AWWA C606.

Pressure Test: PN x 1,5.

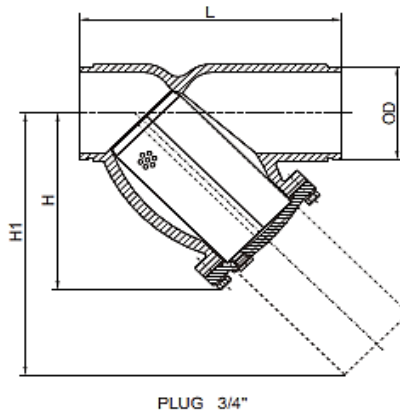
WORKING CONDITIONS:

Working Pressure: 200PSI / 250PSI / 300PSI.

Maximum Working Temperature: 32°F to 176°F (0°C to 80°C) rubber gasket.

CONSTRUCTION:

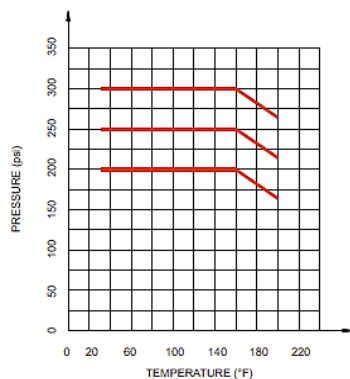
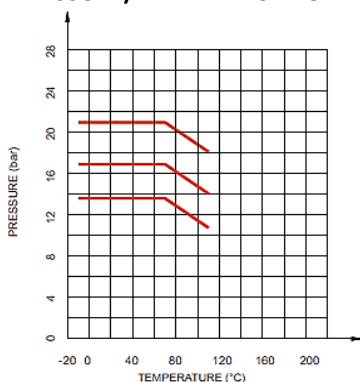
Part	Material	Specification
Body	Ductile Iron	A536 65-45-12
Cover	Ductile Iron	A536 65-45-12
Screen	S.Steel	AISI304
Gasket	EPDM	
Plug	Carbon Steel	



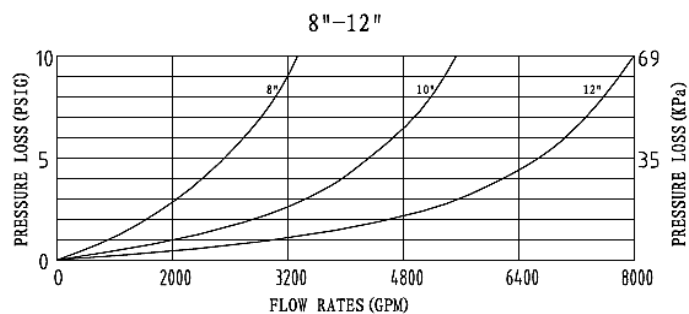
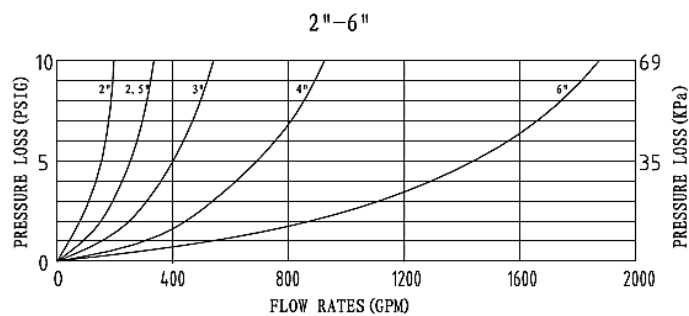
DIMENSIONS:

DN	L	H	H1	OD	Weight
2"	230	130	195	60,3	3,80
2.1/2"	254	158	240	73	6,20
				76,1	6,40
3"	272,4	175	270	88,9	9,20
4"	308	202	320	114,3	15,30
5"	398	290	425	139,7	25,10
				141,3	25,40
6"	472	334	495	165,1	32,00
				168,3	32,70
8"	550	391	570	219,1	70,90
10"	654	460	700	273	108,60
12"	762	590	840	323,9	159,40

PRESSURE/TEMPERATURE CHART:



PRESSURE LOSS CHART:



Bevalve Shanghai

Room 504-40, 5/F, West Office Tower, Shanghai Centre, No. 1376 West Nanjing Road

Jing an District - Shanghai, 200040, P.R.China

Tel +86 (21) 60103107 Email info@bevalve.com

www.bevalve.com

The specifications of the presented products are open to modifications without previous advice.