

Y-STRAINERS

Y STRAINER CARBON STEEL FLANGED ANSI 300#



BeValve

TECFLW

TF-YS-CS-F300



APPLICATION:

Water distribution, gas oil, steam, petrochemical industry, gas.

GENERAL CHARACTERISTICS:

Removable stainless steel filter.
Flanges R.F. ANSI300#
Horizontal or Vertical position
Position indicator arrow.
Mesh: 1 mm (DN50) - 1,5 mm (DN65-DN400).
Bolted bonnet
Draining cap.

STANDARDS:

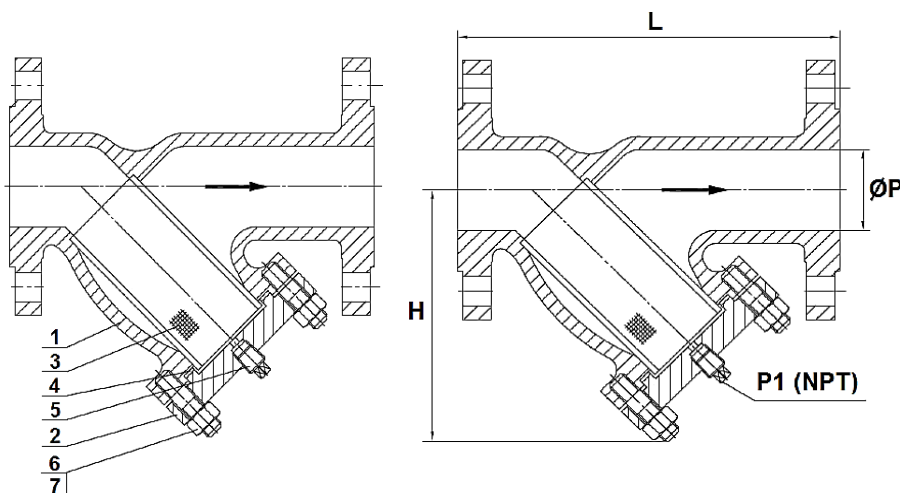
Manufacture according to ISO 9001 : 2015.
Directive 2014/68/EU: CE Risk Category III Module H.
Design: ASME B16.34.
Pressure Tests according to API 598 table 6.
Flanges R.F. ASME B16.05 Class 300.
Length according to ASME B16.10 table 2 series 15 up to DN300, series 17 DN350-DN400.

WORKING CONDITIONS :

Maximum Working Pressure: 50 bar.
Maximum Working Temperature: - 29 °C / + 425 °C.

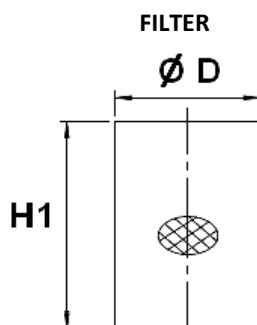
CONSTRUCTION:

No.	Part	Material
1	Body	ASTM A216 WCB
2	Cover	ASTM A216 WCB
3	Screen	S.Steel 304
4	Bonnet gasket	SS304 + Graphite
5	Draining cap	Carbon Steel
6	Stud Bolt	ASTM A193 Gr.B7
7	Nut	ASTM A194 Gr.2H
8	Washer	65Mn



DIMENSIONS:

DN	L	H	H1	ØD	P1 NPT	Mesh mm.	Kvs m3/h	Weight
50	267	140	110	55	1/2"	1	32,4	11,00
65	292	155	120	65	1/2"	1,5	54,8	15,00
80	318	185	135	80	1/2"	1,5	83,1	20,00
100	356	225	175	105	1/2"	1,5	129,7	34,00
150	444	290	210	150	3/4"	1,5	291,2	60,00
200	559	396	275	190	3/4"	1,5	518,8	101,00
250	622	485	355	235	1"	1,5	810,7	154,00
300	711	610	365	280	1"	1,5	1167,4	235,00
350	838	650	435	340	1.1/2"	1,5	1447,1	490,00
400	864	740	465	390	1.1/2"	1,5	1923	620,00



The specifications of the presented products are open to modifications without previous advice.

Bevalve Shanghai

Room 504-40, 5/F, West Office Tower, Shanghai Centre, No. 1376 West Nanjing Road

Jing an District - Shanghai, 200040, P.R.China

Tel +86 (21) 60103107 Email info@bevalve.com

www.bevalve.com