

Non-rising Stem Resilient Seated Gate Valves

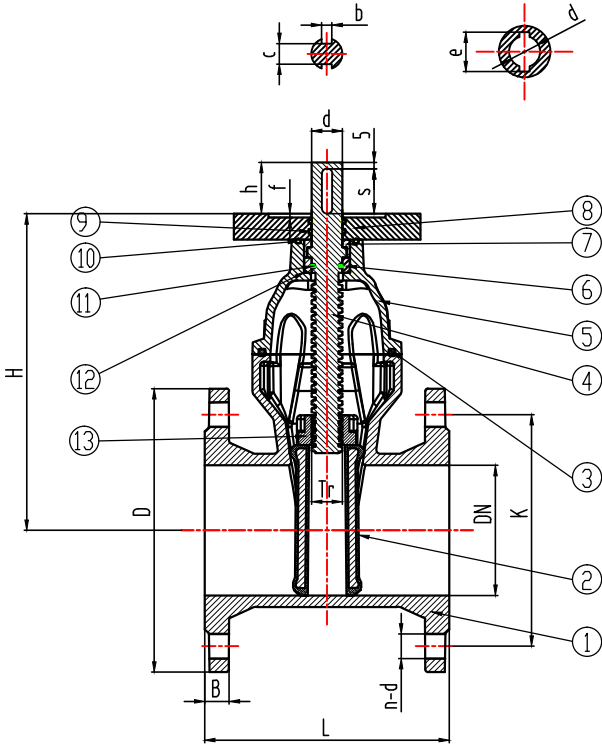
Main Technical Parameters

Reference Standard

Design	EN 1171
Flange	EN 1092-2
Face to Face	EN558-1
Tests	EN 12266-1

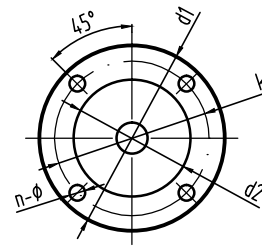
DN	DN50-300		
PN	1.6MPa		
Test pressure	Strength	2.4MPa	
	Seal up	1.8MPa	
Temperature	0-80°C		
Medium	Clear, sewage, air		
Drive form	Handwheel		

fit dimension of the connection part with keyway and the stem diameter.



13	Stem Nut	CuZn39Pb1	EN 12167
12	O Ring	NBR	ISO 4633
11	O Ring	NBR	ISO 4633
10	O Ring	NBR	ISO 4633
9	O Ring	NBR	ISO 4633
8	Upper Flange	GGG50	DIN 1693
7	Holding Ring	CuZn39Pb1	EN 12167
6	Thrust Washer	CuZn39Pb1	EN 12167
5	Bonnet	GGG50	DIN 1693
4	Stem	SS420	ASTM A959
3	Bonnet Gasket	NBR	ISO 4633
2	Disc	EPDM+GGG50	DIN 1693
1	Body	GGG50	DIN 1693
ITEM	PART NAME	MATERIAL	STANDARD

The driving device is connected with the valve flange size by ISO5210-2001



DN	OUTLINE mm			END FLANGE PN10/16 mm				The Upper Flange Size					The Upper Flange Size					Gland Type	Switch ring number	Closing Torque (N.m)	Tr		
	BS5163	DIN-F4	DIN-F5	EN1092-2																			
	L	D	K	n-d	B	d1	k	n-Ø	d2	f	d18	h	s	b	c	e	H						
40	165	140	240	150	110	4-Ø19	19	125	102	4-Ø12	71	3	Ø18	40	35	6	11	23.6	160	F10	9	30	Tr18x8(P4)LH
50	178	150	250	165	125	4-Ø19	19	125	102	4-Ø12	71	3	Ø18	40	35	6	11	23.6	160	F10	10	35	Tr21x8(P4)LH
65	190	170	270	185	145	4-Ø19	19	125	102	4-Ø12	71	3	Ø21	40	35	6	14	26.6	190	F10	10	35	Tr21x8(P4)LH
80	203	180	280	200	160	8-Ø19	19	125	102	4-Ø12	71	3	Ø21	40	35	6	14	26.6	210	F10	12	35	Tr21x8(P4)LH
100	229	190	300	220	180	8-Ø19	19	125	102	4-Ø12	71	3	Ø24	40	35	8	16	30.6	250	F10	12	40	Tr24x10(P5)LH
125	254	200	325	250	210	8-Ø19	19	145	120	4-Ø12	91	3	Ø26	40	35	8	18	32.6	290	F12	14.5	65	Tr26x10(P5)LH
150	267	210	350	285	240	8-Ø23	19	145	120	4-Ø12	91	3	Ø26	40	35	8	18	32.6	330	F12	17	80	Tr28x10(P5)LH
200	292	230	400	340	295	8-Ø23/12-Ø23	20	145	120	4-Ø12	91	3	Ø32	40	35	10	22	38.6	420	F12	18.5	120	Tr32x12(P6)LH
250	330	250	450	405	355	12-Ø23/12-Ø28	22	175	140	4-Ø14	101	4	Ø34	45	40	10	24	40.6	515	F14	23	180	Tr34x12(P6)LH
300	356	270	500	460	410	12-Ø23/12-Ø28	24.5	175	140	4-Ø14	101	4	Ø34	45	40	10	24	40.6	595	F14	27	220	Tr34x12(P6)LH
350	381	290	550	520	470	16-Ø23/16-Ø28	26.5	175	140	4-Ø14	101	4	Ø34	45	40	10	24	40.6	700	F14	30.5	250	Tr40x12(P6)LH
400	406	310	600	580	525	16-Ø28/16-Ø31	28	210	165	4-Ø22	131	6	Ø36	60	55	10	26	42.6	785	F16	34.5	300	Tr40x12(P6)LH
450	432	330	650	640	585	20-Ø28/20-Ø31	30	210	165	4-Ø22	131	6	Ø36	60	55	10	26	42.6	900	F16	28	325	Tr46x16(P8)LH
500	457	350	700	670/715	620/650	20-Ø28/20-Ø34	26.5/31.5	210	165	4-Ø22	131	6	Ø36	60	55	10	26	42.6	950	F16	32.5	350	Tr46x16(P8)LH
600	508	390	800	780/840	725/770	20-Ø31/20-Ø37	30/36	300	254	8-Ø18	201	6	Ø42	70	65	12	32	46.6	1155	F25	34.5	400	Tr55x18(P9)LH