

BUTTERFLY VALVES

DOUBLE ECCENTRIC BUTTERFLY VALVE TF-DE-BFV-F NP40 FLANGES DIN NP-40



BeValve

TECFLW

TF-DE-BFV-F40



APPLICATION:
Potable Water installations.

GENERAL CHARACTERISTICS:

Double Eccentric Butterfly Valves.
Range from ND200 up to ND1200.
Tightness in one only way.
Replaceable Seat on disc.
Low head loss.
Top Flange according to ISO 5211.
Epoxy paint 250

STANDARDS:

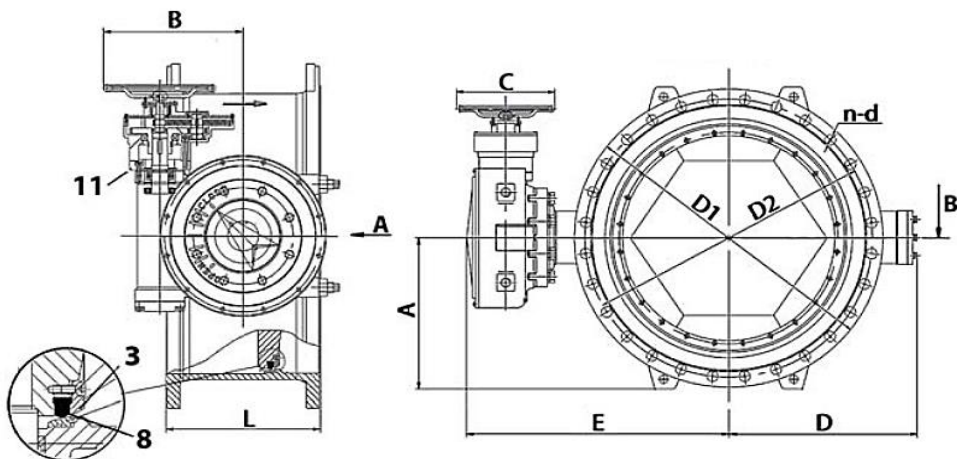
Design: EN 593
Face to Face: EN 558-1 Series 14.
Mounting with flanges: PN40 EN 1092-2.
Pressure Test: EN 12266-1:
Body: 60 bar. Seat: 44 bar.
Manufacture acc. to the requirements of the EU directive 2014/68/EU
Equipements under pressure: mod. H.

WORKING CONDITIONS:

Maximum Working Pressure: 40 bar.
Maximum Working Temperature: - 5 °C / + 80 °C.

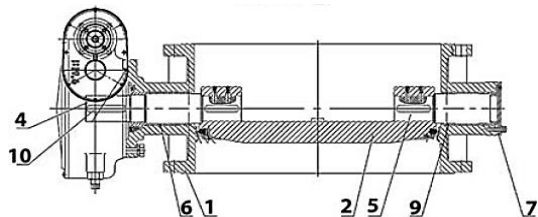
CONSTRUCTION:

No.	Part	Material
1	Body	Ductile Iron GJS500
2	Disc	Ductile Iron GJS500
3	Retaining Ring	Steel
4	Stem	S.Steel X20Cr13
5	Stem	S.Steel X20Cr13
6	Bearing Bush	Aluminum Bronze
7	Cover	Ductile Iron GJS500
8	Sealing Ring	EPDM
9	O-Ring	EPDM
10	Key	S.Steel X20Cr13



DIMENSIONS:

ND	L	A	B	ØC	D	ØD1	ØD2	E	n-d	Weight
200	230	192,5	253,4	320	229	375	320	374	12-Ø31	90,00
250	250	230	320	400	261	450	385	451	8-Ø34	158,00
300	270	262,5	320	400	305	515	450	490	12-Ø34	265,00
350	290	295	348	400	360	580	510	544	12-Ø37	335,00
400	310	335	348	400	407	660	585	594	12-Ø41	405,00
450	330	347,5	385	400	429	685	610	638	16-Ø44	537,00
500	350	382,5	385	400	477	755	670	703	16-Ø42	777,00
600	390	450	430	400	555	890	795	808	16-Ø50	1069,00
700	430	505	515	400	666	995	900	959	20-Ø48	1650,00
800	470	575	515	400	664	1140	1030	1032	20-Ø56	2070,00
900	510	635	515	400	785	1250	1140	1119	24-Ø56	3020,00
1000	550	690	612	400	837	1360	1250	1202	24-Ø56	3705,00
1200	630	792,5	795	600	1077	1575	1460	1518	24-Ø62	5790,00



The specifications of the presented products are open to modifications without previous advice.

Bevalve Shanghai

Room 504-40, 5/F, West Office Tower, Shanghai Centre, No. 1376 West Nanjing Road
Jing an District - Shanghai, 200040, P.R.China
Tel +86 (21) 60103107 Email info@bevalve.com

www.bevalve.com